

Non Return Ball Check valve

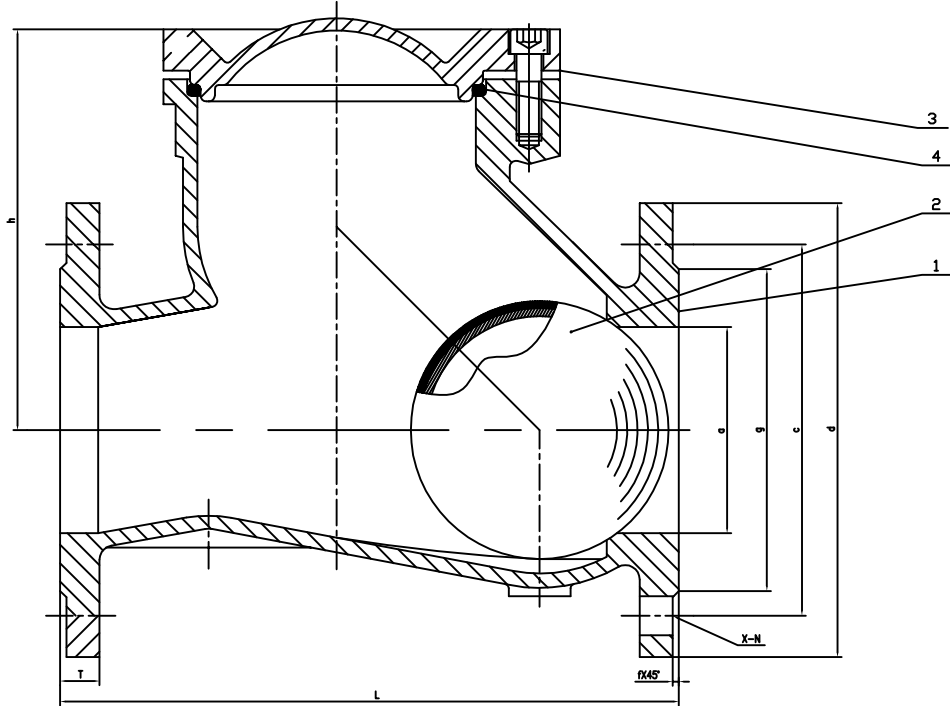
STANDARD MATERIALS OF MAIN PARTS

ITEM	PART NAME	MATERIAL
1	Body	Ductile Iron
2	Ball	Ductile Iron+NBR/EPDM
3	Cover	Ductile Iron
4	Gasket	NBR/EPDM

SPECIFICATIONS

Size	DN50 - 300
Class	PN 10 - PN 16
Face to Face	DIN3202-F6
End Flange	BS EN 1092
Test	DIN3230

DN50-DN100: Ball: Aluminium alloy+NBR/EPDM



DIMENSION

SIZE	a	c(PN10/PN16)		d	T	f	L	X-N(PN10/PN16)		≈h	g
50	50	125		165	19	3	200	4-∅19		110	99
65	65	145		185	19	3	240	4-∅19		125	118
80	80	160		200	19	3	260	8-∅19		155	132
100	100	180		220	19	3	300	8-∅19		200	156
125	125	210		250	19	3	350	8-∅19		220	184
150	150	240		285	19	3	400	8-∅23		260	211
200	200	295		340	20	3	500	8-∅23	12-∅23	320	266
250	250	350	355	405	22	3	600	12-∅23	12-∅27	360	319
300	300	400	410	460	24.5	4	700	12-∅23	12-∅27	430	370