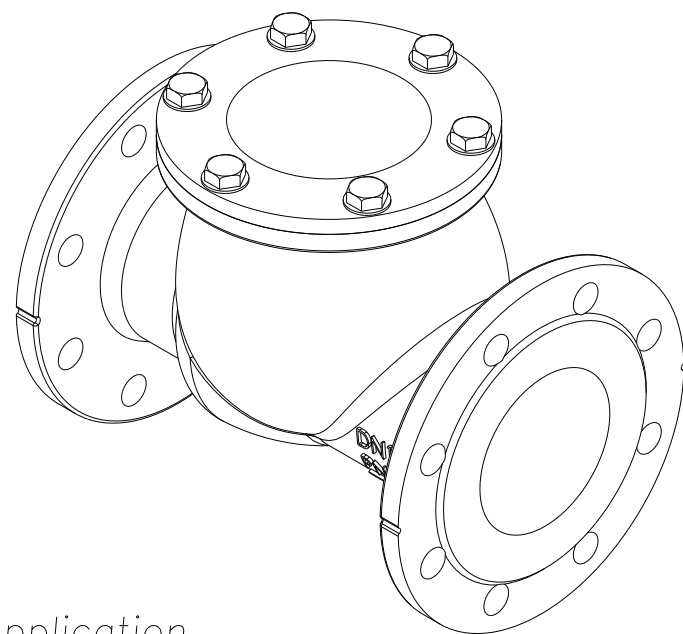


| | | | | |
|----|------------|-------------------|---|--------------|
| 12 | GB901-88 | Bolt | X | CARBON STEEL |
| 11 | H44-T16-14 | Galvanized gasket | X | CARBON STEEL |
| 10 | H44-T16-13 | Bonnet | 1 | QT450 |
| 9 | H44-T16-12 | Seal gasket | 1 | NBR/EPDM |
| 8 | H44-T16-11 | Rocker arm | 1 | QT450 |
| 7 | GB6173-86 | Nut | 1 | CARBON STEEL |
| 6 | GB91-86 | Pin | 1 | SUS304 |
| 5 | H44-T16-10 | Gasket | 1 | 2Cr13 |
| 4 | H44-T16-09 | Disc | 1 | QT450 |
| 3 | H44-T16-08 | Seal ring | 1 | BRASS/NBR |
| 2 | H44-T16-07 | Valve seat | 1 | Brass |
| 1 | H44-T16-06 | Body | 1 | QT450 |



| DN | | DN50 | DN65 | DN80 | DN100 | DN125 | DN150 | DN200 | DN250 | DN300 |
|------|----------|-------|-------|-------|-------|-------|-------|--------|--------|--------|
| CODE | L | 200 | 240 | 260 | 300 | 350 | 400 | 500 | 600 | 700 |
| | D(PN10) | ø165 | ø185 | ø200 | ø220 | ø250 | ø285 | ø340 | ø395 | ø445 |
| | D(PN16) | ø165 | ø185 | ø200 | ø220 | ø250 | ø285 | ø340 | ø405 | ø460 |
| | D1(PN10) | ø125 | ø145 | ø160 | ø180 | ø210 | ø240 | ø295 | ø350 | ø400 |
| | D1(PN16) | ø125 | ø145 | ø160 | ø180 | ø210 | ø240 | ø295 | ø355 | ø410 |
| | D2(PN10) | ø102 | ø122 | ø138 | ø158 | ø188 | ø212 | ø268 | ø320 | ø370 |
| | D2(PN16) | ø102 | ø122 | ø138 | ø158 | ø188 | ø212 | ø268 | ø320 | ø378 |
| N | PN10 | 4-ø18 | 4-ø18 | 4-ø18 | 8-ø18 | 8-ø18 | 8-ø23 | 8-ø23 | 12-ø23 | 12-ø23 |
| | PN16 | 4-ø18 | 4-ø18 | 8-ø18 | 8-ø18 | 8-ø18 | 8-ø23 | 12-ø23 | 12-ø27 | 12-ø27 |
| | B | 18 | 18 | 20 | 20 | 22 | 22 | 24 | 24 | 26 |

Application

- 1?Face to face is according to DIN3202-F6
- 2?Flange drilled is according to DIN2531/DIN2532/DIN2533
- 3?Working temperature:0?100??
- 4?working pressure:PN10-PN16.

| | | | | | | | | | | |
|--|--|--|--|--|--|--|--|--|--|--|
| | | | | | | | | | | |
| | | | | | | | | | | |
| | | | | | | | | | | |
| | | | | | | | | | | |