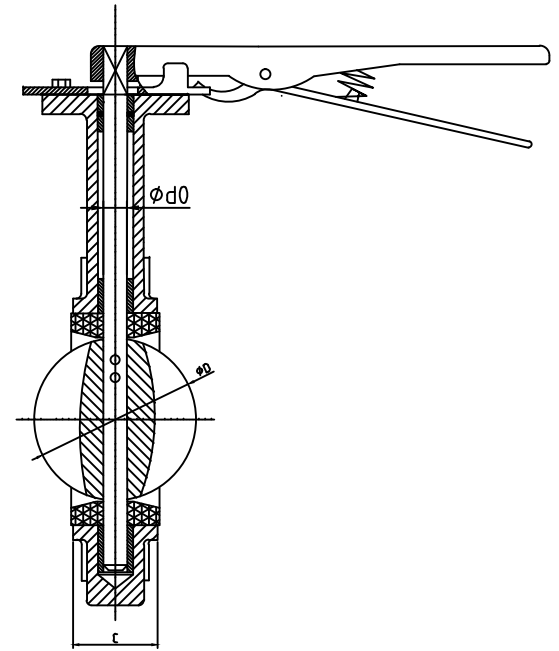
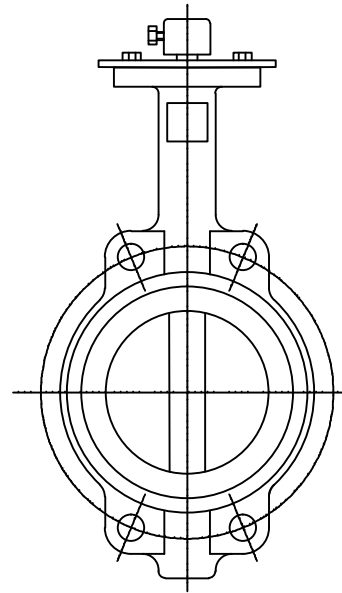
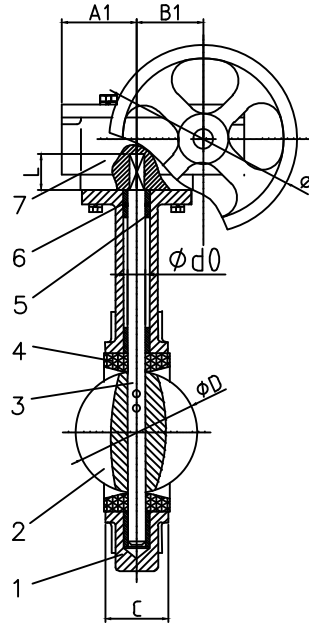
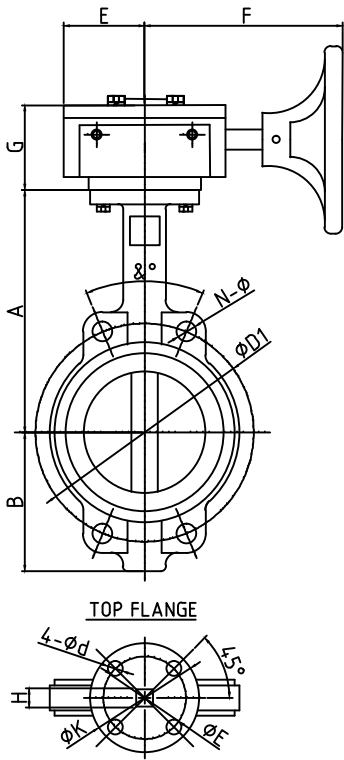


The list about dimension for Wafer type butterfly valve	
Technical specification	
Design Standard	API609
Face to Face	API609
Flange Standard	MSS-67-1995, ANSI B16.1 ANSI 125/150 DIN2501 PN10/PN16
Connection Manner	Wafer Connection
Inspection and Test	API598
Nominal Pressure	1.0Mpa, 1.6Mpa, 150Lb
Model of Driving	Hand, electrically-driven, air-operated and so on model of operation

Item	Parts Name	Material	Standard
1	Body	GG25	A126B
		GGG40	A536
2	Disc	WCB	A216
		GGG40	A536
3	Stem	CF8	A351
		CF8M	A351
		SS416	A276
		SS431	A276
4	Seat	SS304	A276
		EPDM	ASTM D2000
		NBR	ASTM D2000
		VITON	B14014 E034
5	Bushing	PIFE	ASTMB438
		C954	B148
6	O-Ring	EPDM	ASTM D20004
		NBR	
		VITON	
7	Gear Box Assembly	A536 (Gear)	



Dimension of Body Construction

SIZE	A	B	C	D	d0	L	ISO5211	K	E	HXH	4-φd	G	E	F	A1	B1	φ	L.O	G.O	Weight(kg)		
2"	DN50	161	80	42	43	52.9	12.6/14.3	30	F07	90	70	11	X11	4-10	75	52	153	52	45	150	3.2	6.5
2.5"	DN65	175	89	44.7	46	64.5	12.6/14.3	30	F07	90	70	11	X11	4-10	75	52	153	52	45	150	4.1	7.2
3"	DN80	181	95	45.2	46	78.8	12.6/14.3	30	F07	90	70	11	X11	4-10	75	52	153	52	45	150	4.5	7.6
4"	DN100	200	114	52	52	104	15.77	30	F07	90	70	11	X11	4-10	75	52	153	52	45	150	5.8	8.9
5"	DN125	213	127	54.4	56	123.3	18.92	30	F07	90	70	14	X14	4-10	75	52	153	52	45	150	7.9	11
6"	DN150	226	139	55.8	56	155.1	18.92	30	F07	90	70	14	X14	4-10	75	52	153	52	45	150	8.7	11.8
8"	DN200	260	175	60.6	60	202.5	22.10	40	F10	125	102	17	X17	4-12	86	75	250	75	63	300	14.7	21.2
10"	DN250	292	203	65.6	68	250.5	28.45	40	F10	125	102	22	X22	4-12	86	75	250	75	63	300	20.7	27.2
12"	DN300	337	242	76.9	78	301.6	31.60	40	F10	140	102	22	X22	4-12	83	81	227	81	80	300	34	42
14"	DN350	368	267	76.5	78	333.3	31.60	45	F10	140	102	22	X22	4-12	83	81	227	81	80	300	-	50.8
16"	DN400	400	309	86.5	102	389.6	33.15/37.95	52	F14	197	140	27	X27	4-18	126	115	278	121	119	300	-	99.4
18"	DN450	422	328	102	114	440.5	37.95/42.86	52	F14	197	140	27	X27	4-18	146	144	306	142	198	300	-	117.4
20"	DN500	480	361	127	127	491.6	41.12/45.72	65	F14	197	140	36	X36	4-18	146	144	306	142	198	300	-	166.4

Dimension of Connection

SIZE	φD1	N-φ	φ	φD1	N-φ	φ	φD1	N-φ	φ	
2"	DN50	125	4-18	90°	125	4-18	90°	120.6	4-19	90°
2.5"	DN65	145	4-18	90°	145	4-18	90°	139.7	4-19	90°
3"	DN80	160	4-18	45°	160	4-18	45°	152.4	4-19	90°
4"	DN100	180	4-18	45°	180	4-18	45°	190.5	4-19	45°
5"	DN125	210	4-18	45°	210	4-18	45°	215.9	4-22.4	45°
6"	DN150	240	4-22	45°	240	4-22	45°	241.3	4-22.4	45°
8"	DN200	295	4-22	45°	295	4-22	30°	298.4	4-22.4	45°
10"	DN250	350	4-22	30°	355	4-26	30°	361.9	4-25.4	30°
12"	DN300	400	4-22	30°	410	4-26	30°	431.8	4-25.4	30°
14"	DN350	460	4-22	22.5°	470	4-26	22.5°	476.2	4-28.4	30°
16"	DN400	515	4-26	22.5°	525	4-30	22.5°	539.7	4-28.4	22.5°
18"	DN450	565	4-26	18°	585	4-30	18°	577.8	4-31.8	22.5°
20"	DN500	620	4-26	18°	650	4-33	18°	635	4-31.8	18°