

# Resilient Seat Gate Valve

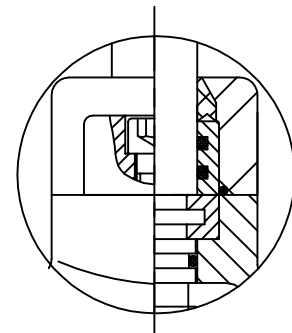
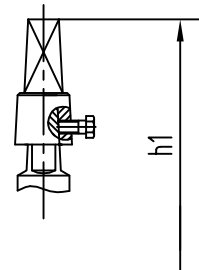
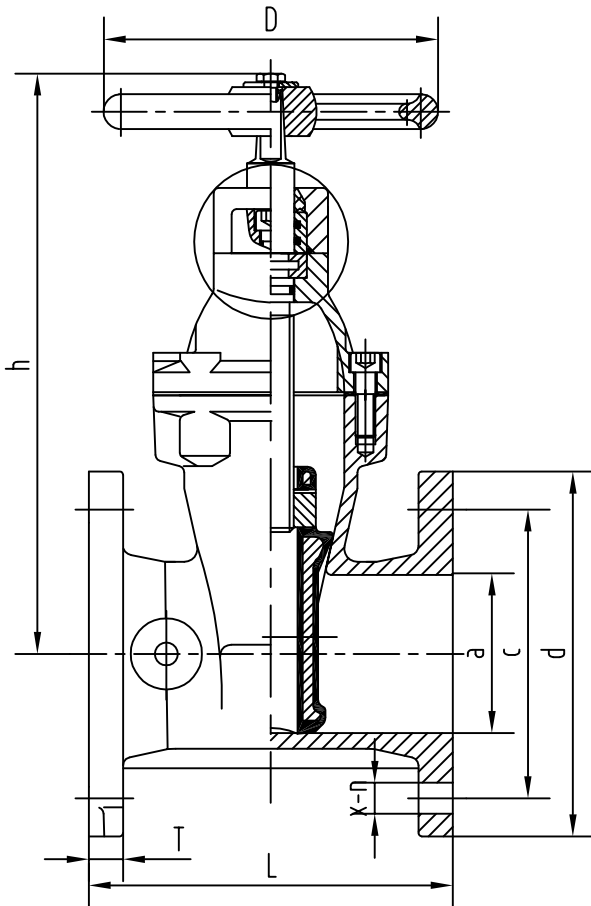
# AWWA C509 NRS

## SPECIFICATIONS

Size	2" - 24"
Class	125 lbs - 150 lbs
Design	ANSI / AWWA C509
Face to Face	ASME B16.10 / ISO 5752 3 Series
End Flange	ASME B16.1, ASME B16.42
Test	ANSI/AWWA C509

## STANDARD MATERIALS OF MAIN PARTS

ITEM	PART NAME	MATERIAL
1	Body	Ductile Iron
2	Disc	Ductile Iron+EPDM
3	Bonnet	Ductile Iron
4	Stem	Stainless Steel 420
5	Stem Nut	Brass
6	Holding Ring	Brass
7	Gland	Ductile Iron
8	Handwheel	Ductile Iron
9	Bonnet Gasket	EPDM
10	O Ring	NBR
11	Dust Ring	NBR



## DIMENSIONS

DN	OUTLINE mm				END FLANGE ANSI 125/150 mm				
	L	h	D	h1	a	d	c	x-n	T
40	165	275	180	345	40	127	98.5	4- $\phi$ 16	14
50	178	280	180	350	50	152	120.5	4- $\phi$ 19	16
65	190	300	180	370	65	178	139.5	4- $\phi$ 19	17.5
80	203	335	205	405	80	191	152.5	4- $\phi$ 19	19.1
100	229	341	240	411	100	229	190.5	8- $\phi$ 19	24
125	254	430	240	500	125	254	216	8- $\phi$ 22	24
150	267	485	280	555	150	279	241.5	8- $\phi$ 22	25.4
200	292	580	320	650	200	343	298.5	8- $\phi$ 22	28.6
250	330	680	360	750	250	406	362	12- $\phi$ 25	30
300	356	785	450	855	300	483	432	12- $\phi$ 25	31.8
350	381	880	500	950	350	533	476	12- $\phi$ 29	35
400	406	990	560	1060	400	597	539	16- $\phi$ 29	37