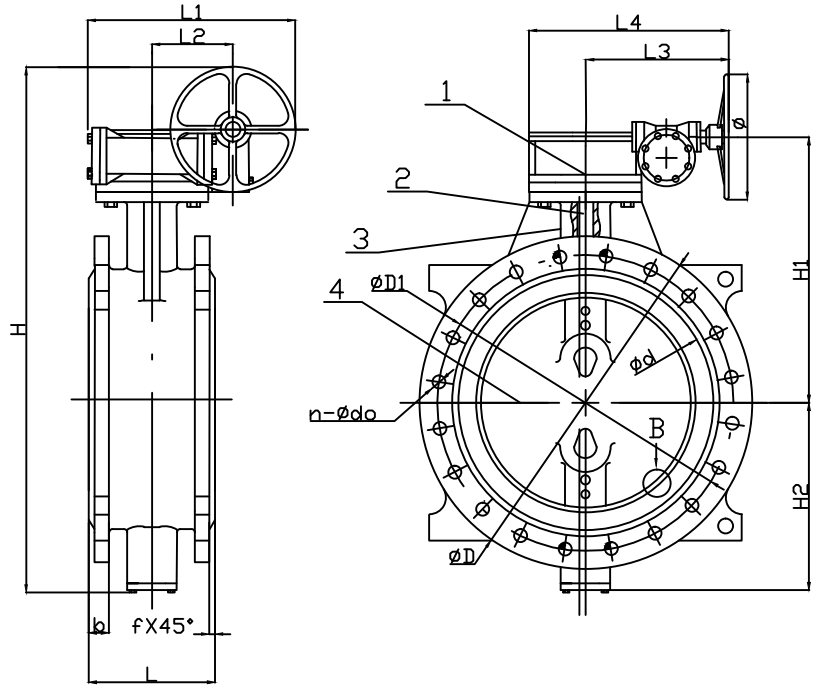


| The list about dimension for Double eccentric butterfly valve | |
|---|---|
| Technical specification | |
| Design Standard | API609 |
| Face to Face | API609 MSS-67-1995, ANSI B16.1 |
| Flange Standard | ANSI 125/150 DIN2501 PN10/PN16 |
| Connection Manner | Wafer Connection |
| Inspection and Test | API598 |
| Nominal Pressure | 1.0Mpa, 1.6Mpa, 150Lb |
| Model of Driving | Hand, electrically-driven, air-operated and so on model of operation |

| Item | Parts Name | Material | Standard |
|------|------------|--------------|----------------|
| 1 | Gear Box | Assembling | A536 (Gear) |
| 2 | Stem | SS410 | A276 |
| | | SS420 | A276 |
| 3 | Body | GG25 | A126B |
| | | GGG40 | A536 |
| 4 | Disc | GGG40 | A536 |
| 5 | Bolt | Carbon Steel | A108 |
| | | SS304 | A276 |
| 6 | Retainer | WCB | A216 |
| | | SS304 | A351 |
| 7 | O-Ring | EPDM | ASTM |
| | | NBR | D20004 |
| | | VITON | |



Dimension of Body Construction

| | | | | | | | | | | | | | |
|------|-------|----|---|------|-----|-----|-----|-----|-----|-----|-----|-----|------------|
| 4" | DN100 | 27 | 3 | 400 | 180 | 130 | 190 | 202 | 48 | 121 | 180 | 180 | 25 |
| 6" | DN150 | 29 | 3 | 468 | 216 | 162 | 210 | 222 | 58 | 128 | 194 | 180 | 37 |
| 8" | DN200 | 30 | 3 | 594 | 254 | 215 | 230 | 275 | 70 | 163 | 241 | 250 | 63 |
| 10" | DN250 | 31 | 3 | 694 | 295 | 224 | 250 | 368 | 95 | 163 | 291 | 350 | 94 |
| 12" | DN300 | 31 | 3 | 809 | 387 | 272 | 270 | 449 | 178 | 358 | 473 | 300 | 165 |
| 14" | DN350 | 34 | 4 | 896 | 431 | 315 | 290 | 449 | 178 | 358 | 473 | 300 | 214 |
| 16" | DN400 | 34 | 4 | 973 | 472 | 351 | 310 | 486 | 196 | 384 | 528 | 300 | 264 |
| 18" | DN450 | 36 | 4 | 1019 | 490 | 379 | 330 | 486 | 196 | 384 | 528 | 300 | 292 |
| 20" | DN500 | 35 | 5 | 1164 | 544 | 420 | 350 | 627 | 244 | 407 | 596 | 300 | 324 |
| 24" | DN600 | 35 | 5 | 1312 | 672 | 440 | 390 | 627 | 244 | 407 | 596 | 300 | 534 |
| SIZE | | b | f | H | H1 | H2 | L | L1 | L2 | L3 | L4 | φ | Weight(Kg) |

Dimension of Connection

| | | | | | | | | | | | | | |
|------|-------|----------|-------|-----|-----|----------|-------|-----|-----|---------|---------|-----|-----|
| 4" | DN100 | 180 | 8-19 | 220 | 158 | 180 | 8-19 | 220 | 156 | 190.5 | 8-19 | 229 | 157 |
| 6" | DN150 | 240 | 8-23 | 285 | 212 | 240 | 8-23 | 285 | 211 | 241.3 | 8-22.4 | 279 | 216 |
| 8" | DN200 | 295 | 8-23 | 340 | 268 | 295 | 12-23 | 340 | 266 | 298.4 | 8-22.4 | 343 | 270 |
| 10" | DN250 | 350 | 12-23 | 390 | 320 | 355 | 12-27 | 405 | 319 | 361.9 | 12-25.4 | 406 | 324 |
| 12" | DN300 | 400 | 12-23 | 445 | 370 | 410 | 12-27 | 460 | 370 | 431.8 | 12-25.4 | 483 | 381 |
| 14" | DN350 | 460 | 16-23 | 505 | 430 | 470 | 16-27 | 520 | 429 | 476.2 | 12-28.4 | 533 | 430 |
| 16" | DN400 | 515 | 16-27 | 565 | 482 | 525 | 16-31 | 580 | 480 | 539.7 | 16-28.4 | 597 | 470 |
| 18" | DN450 | 565 | 20-27 | 615 | 532 | 585 | 20-31 | 640 | 548 | 577.8 | 16-31.8 | 635 | 533 |
| 20" | DN500 | 620 | 20-27 | 670 | 585 | 650 | 20-34 | 715 | 609 | 635 | 20-31.8 | 699 | 584 |
| 24" | DN600 | 725 | 20-31 | 780 | 685 | 770 | 20-37 | 840 | 720 | 749.3 | 20-35.1 | 813 | 692 |
| SIZE | | φD1 | n-φd0 | φD | φd | φD1 | n-φd0 | φD | φd | φD1 | n-φd0 | φD | φd |
| | | DIN PN10 | | | | DIN PN16 | | | | ANSI150 | | | |